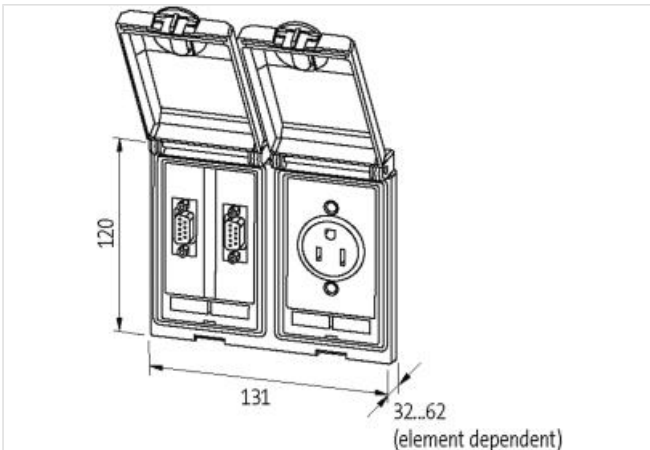


**Modlink MSDD-set: Frame 4000-68123-0000000,**  
insert 4000-68000-1310000 + 4000-68000-0030000

## Ürün Linki

örnekleme



Ürün Image farklı olabilir

**Ticari bilgiler**

ECLASS-6.0	27189217
ECLASS-6.1	27189217
ECLASS-7.0	27189217
ECLASS-8.0	27189217
ECLASS-9.0	27189217
ECLASS-10.1	27182806
ECLASS-11.1	27182806
ECLASS-12.0	27182806
ETIM-5.0	EC002625
GTIN	4048879326773
Gümrük tarife no (gtip)	85366990
Paket miktarı	1

**Frame**

Degree of protection (EN IEC 60529)	IP65
Operating temperature min.	-10 °C
Operating temperature max.	60 °C
Storage temperature min.	-25 °C
Storage temperature max.	60 °C
Suitable for installation wall thickness min.	1 mm
Suitable for installation wall thickness max.	5 mm
Coating housing	surface finished
Material housing	Fine zinc die casting

**Shielding plate**

Connection information	Threaded hole M4
Tightening torque	0,9 Nm

**USA**

Connection geometry	4.8 x 0.5 mm
Operating voltage AC	125 V
Operating current	15 A
Connection	Plug-solder connection
No. of poles	2 + PE
Protection contact present	yes

**USB**

Operating voltage AC	48 V
Operating voltage DC	48 V
Operating voltage AC max. (UL-listed)	30 V
Operating voltage DC max. (UL-listed)	42,4 V
Operating current	1,5 A
USB specification	3.0
Data transmission rate max.	5000 MBit/s
Looking techniques	Snap-in connector

**RJ45**

Operating voltage AC max. (UL-listed)	30 V
Operating voltage DC max. (UL-listed)	42,4 V
Current operating max. (UL)	175 mA
Family construction form	RJ45

Family type Back side	RJ45
Cable category min.	Cat5e
Looking techniques	Snap-in connector