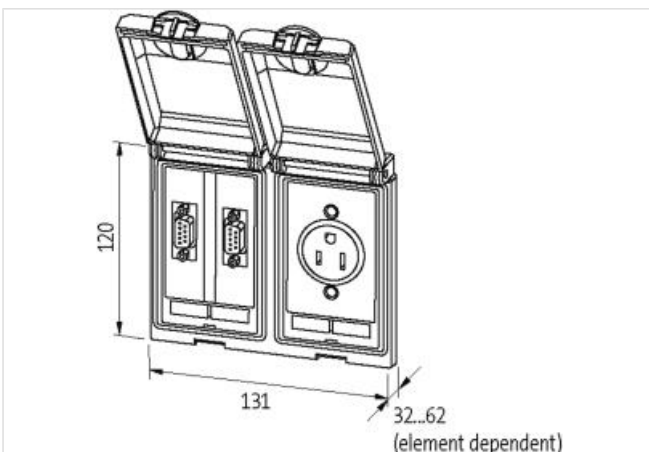


Modlink MSDD-set: Frame 4000-68123-000000,
insert 4000-68000-1100000 + 4000-68000-0010000

제품 링크

일러스트



실제 제품은 이미지와 다를 수 있습니다.



제품자료

ECLASS-6.0	27189217
ECLASS-7.0	27189217
ECLASS-8.0	27189217
ECLASS-9.0	27189217
ETIM-5.0	EC002625
GTIN	4048879034074
세번부호	85389099
포장단위	1

Frame

Degree of protection (EN IEC 60529)	IP65
Operating temperature min.	-10 °C
Operating temperature max.	60 °C
Storage temperature min.	-25 °C
Storage temperature max.	60 °C
Suitable for installation wall thickness min.	1 mm
Suitable for installation wall thickness max.	5 mm
Coating housing	surface finished
Material housing	Fine zinc die casting

Germany (VDE)

Connection cross section max.	6 mm ²
AWG number max.	10
Operating voltage AC	250 V
Operating current	16 A
Status indication LED	yellow
Connection	Screw terminals SK
No. of poles	2 + PE
Connections per pole	2
Protection contact present	yes

SUB-D25

Operating voltage AC	48 V
Operating voltage DC	48 V
Operating voltage AC max. (UL-listed)	30 V
Operating voltage DC max. (UL-listed)	42,4 V
Operating current	3 A
Current operating max. (UL)	175 mA
Family construction form	SUB-D25
Family type Back side	SUB-D25
Gender	female
Gender Rear	male
Looking techniques	Standard UNC 4-40 screw thread bolt (EN 60807)
No. of poles	25

RJ12

Operating voltage AC max.	48 V
Operating voltage DC max.	48 V
Operating voltage AC max. (UL-listed)	30 V
Operating voltage DC max. (UL-listed)	42,4 V

Operating current max.	1 A
Current operating max. (UL)	175 mA
Family construction form	RJ12
Family type Back side	RJ12
Looking techniques	Snap-in connector

RJ45

Operating voltage AC max. (UL-listed)	30 V
Operating voltage DC max. (UL-listed)	42,4 V
Current operating max. (UL)	175 mA
Family construction form	RJ45
Family type Back side	RJ45
Cable category min.	Cat5e
Looking techniques	Snap-in connector