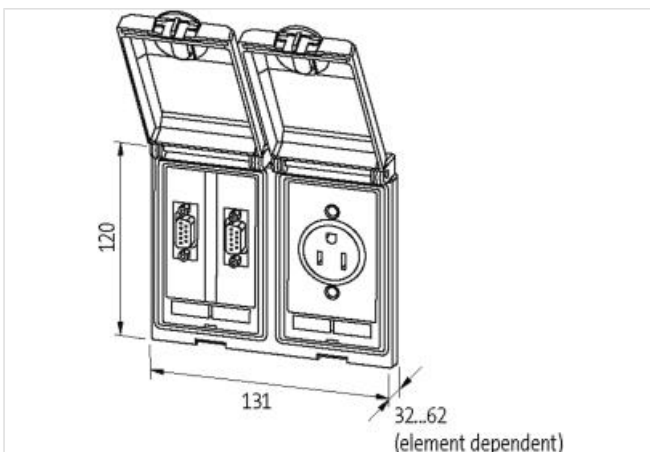


Modlink MSDD-set: Frame 4000-68122-000000,
insert 4000-68000-0710000 + 4000-68000-0010000

제품 링크

일러스트



실제 제품은 이미지와 다를 수 있습니다.



제품자료

| | |
|-------------|---------------|
| ECLASS-6.0 | 27189217 |
| ECLASS-6.1 | 27189217 |
| ECLASS-7.0 | 27189217 |
| ECLASS-8.0 | 27189217 |
| ECLASS-9.0 | 27189217 |
| ECLASS-10.1 | 27182806 |
| ECLASS-11.1 | 27182806 |
| ECLASS-12.0 | 27182806 |
| ETIM-5.0 | EC002625 |
| GTIN | 4048879035521 |
| 세번부호 | 85366990 |
| 포장단위 | 1 |

Frame

| | |
|---|-----------------------|
| Degree of protection (EN IEC 60529) | IP65 |
| Operating temperature min. | -10 °C |
| Operating temperature max. | 60 °C |
| Storage temperature min. | -25 °C |
| Storage temperature max. | 60 °C |
| Suitable for installation wall thickness min. | 1 mm |
| Suitable for installation wall thickness max. | 5 mm |
| Coating housing | KTL |
| Material housing | Fine zinc die casting |

Germany (VDE)

| | |
|-------------------------------|--------------------|
| Connection cross section max. | 6 mm ² |
| AWG number max. | 10 |
| Operating voltage AC | 250 V |
| Operating current | 16 A |
| Status indication LED | yellow |
| Connection | Screw terminals SK |
| No. of poles | 2 + PE |
| Connections per pole | 2 |
| Protection contact present | yes |

SUB-D25

| | |
|---------------------------------------|--|
| Operating voltage AC | 48 V |
| Operating voltage DC | 48 V |
| Operating voltage AC max. (UL-listed) | 30 V |
| Operating voltage DC max. (UL-listed) | 42,4 V |
| Operating current | 3 A |
| Current operating max. (UL) | 175 mA |
| Family construction form | SUB-D25 |
| Family type Back side | SUB-D25 |
| Gender | female |
| Gender Rear | Lötanschluss |
| Looking techniques | Standard UNC 4-40 screw thread bolt (EN 60807) |
| No. of poles | 25 |