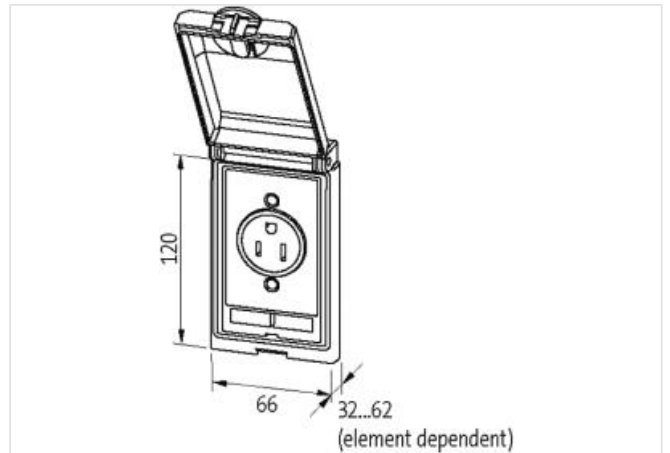


Modlink MSDD set contains: Frame 4000-68113-0000000

Insert 4000-68000-0090000

**제품 링크**

**일러스트**



실제 제품은 이미지와 다를 수 있습니다.



**제품자료**

ECLASS-6.0	27189217
ECLASS-7.0	27189217
ECLASS-8.0	27189217
ECLASS-9.0	27189217
ETIM-5.0	EC002625
GTIN	4048879721011
세번부호	85366990
포장단위	1

Frame	
Degree of protection (EN IEC 60529)	IP65
Operating temperature min.	-10 °C
Operating temperature max.	60 °C
Storage temperature min.	-25 °C
Storage temperature max.	60 °C
Suitable for installation wall thickness min.	1 mm
Suitable for installation wall thickness max.	5 mm
Coating housing	surface finished
Material housing	Fine zinc die casting

Australia	
Connection cross section max.	4 mm <sup>2</sup>
AWG number max.	12
Operating voltage AC	240 V
Operating current	15 A
Connection	Screw terminals SK
No. of poles	2 + PE
Connections per pole	2
Protection contact present	yes