

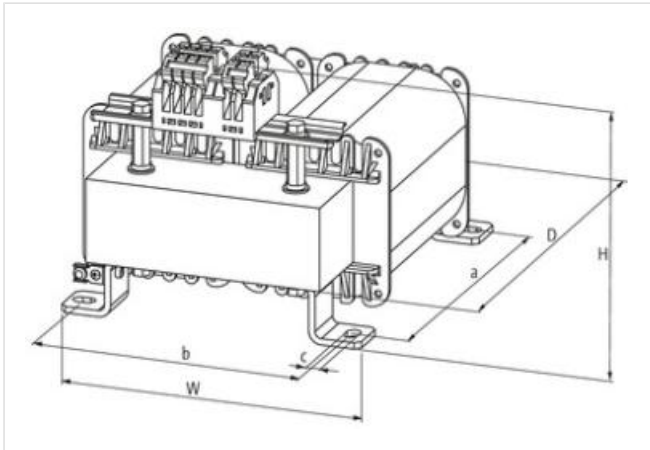
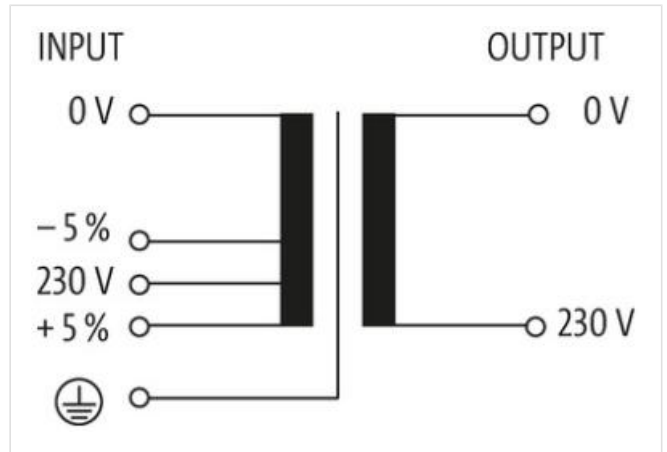
MET 1-PHASE CONTROL AND ISOLATION TRANSFORMER

P: 2000VA IN: 230VAC+/- 5% OUT: 230VAC

Single-phase - Control and Isolation Transformers
2000 VA
Spring clamp terminals
Isolation class T 40/B

Ürün Linki

örnekleme



Ürün Image farklı olabilir



Ticari bilgiler

ECLASS-6.0	27031302
ECLASS-6.1	27031302
ECLASS-7.0	27031302
ECLASS-8.0	27031302
ECLASS-9.0	27031302
ECLASS-10.1	27031302

ECLASS-11.1	27031302
ECLASS-12.0	27031302
ETIM-5.0	EC002486
GTIN	4048879066327
Gümrük tarife no (gtip)	85043200
Paket miktarı	1

Electrical data | Supply

Power frequency	50 ... 60 Hz
-----------------	--------------

Electrical data | Input

Input voltage AC	230 V
Input voltage AC min.	218,5 V
Input voltage AC max.	241,5 V
Current input AC	9,2 A
Max. inrush current	142,2 A
Short-circuit current	334,8 A

Electrical data | Output

Output voltage AC	230 V
Output voltage adjustable	no
Power rating AC max.	2000 VA

Device protection | Electrical

Insulation test voltage input - output	4 kV
--	------

Mechanical data | Mounting data

Suitable for mounting type	Long-hole mounting
Mounting dimension a	200 mm
Mounting dimension b	174 mm
Mounting dimension c	9 mm
Height	170 mm
Width	195 mm
Depth	250 mm
Diameter bore	9 mm
Length bore	14 mm

Environmental characteristics | Climatic

Operating temperature min.	-20 °C
Operating temperature max.	40 °C
Storage temperature min.	-40 °C
Storage temperature max.	80 °C

Conformity

Product standard	EN 61558-1, EN 61558-2-4, EN 62041 category 0
------------------	---