

MIRO 6.2 115V-1U OUTPUT RELAY WITH LEAKAGE

CURRENT SUPPRESSION

1 NO/NC contact

6 A

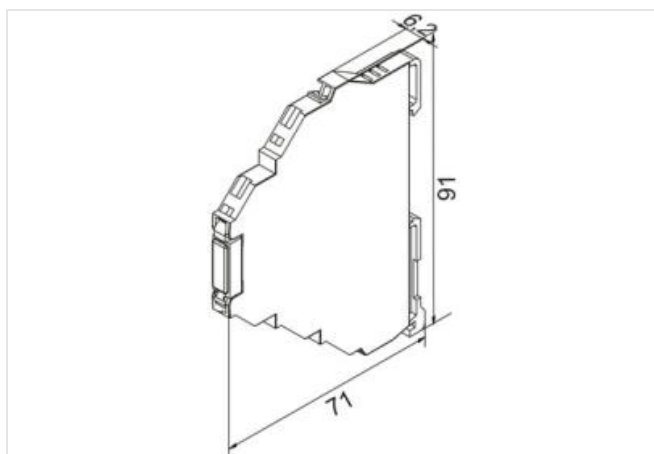
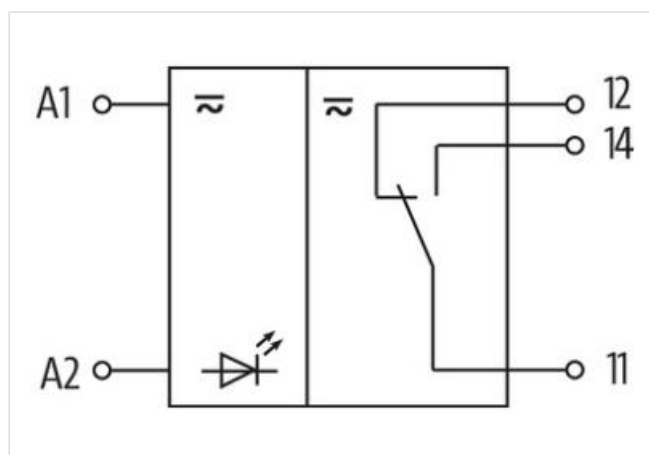
115 V AC/DC

Spring clamp terminals

This module includes a leakage current suppression (LCS) in order to ensure safe shutdown of the module when activated with semiconductors (e.g. Triacs).

[Link do produto](#)

Ilustração



Produto pode diferir da imagem



Dados comerciais

ECLASS-6.0	27371601
ECLASS-6.1	27371601
ECLASS-7.0	27371601
ECLASS-8.0	27371601

ECLASS-9.0	27371601
ECLASS-10.1	27371601
ECLASS-11.1	27371601
ECLASS-12.0	27371601
ETIM-5.0	EC001437
Classificação fiscal	85364900
GTIN	4048879879781
Quantidade por embalagem	1

Electrical data | Input

Input voltage AC	115 V
Input voltage AC min.	92 V
Input voltage AC max.	132 V
Input voltage DC	115 V
Input voltage DC min.	92 V
Input voltage DC max.	132 V
Input current	8 mA

Electrical data | Output

Utilization category AC-12 (EN IEC 60947-5-1)	6 A @ 24, 6 A @ 110 V, 6 A @ 230 V
Utilization category AC-15 (EN IEC 60947-5-1)	3 A @ 24 V, 3 A @ 110 V, 3 A @ 230 V
Utilization category DC-13 (EN IEC 60947-5-1)	1 A @ 24 V, 0,2 A @ 110 V, 0,1 A @ 230 V
Power rating AC max.	1500 VA
Power rating DC max.	120 W
Switching voltage AC max.	250 V
Switching voltage DC max.	250 V
Switching current DC	100 mA
Switching current max.	6 A

Diagnostics

Status indication LED	green
-----------------------	-------

Device protection | Electrical

Degree of protection (EN IEC 60529)	IP20
Electrical lifetime	60000 Cycles

Device protection | Mechanical

Mechanical endurance	10000000 Cycles
----------------------	-----------------

Mechanical data

Drop-out time max.	5 ms
Response time max.	12 ms
Bounce time max.	3 ms

Mechanical data | Material data

Material contact	Ag Sn O2
------------------	----------

Mechanical data | Mounting data

Mounting method	geschnappt
Suitable for mounting type	Mounting rail TH35, (EN 60715)
Height	91 mm
Width	6,2 mm
Depth	71 mm

Environmental characteristics | Climatic

Operating temperature min.	-25 °C
Operating temperature max.	60 °C

Connection type 5

Connection	Spring clamp terminals FK
------------	---------------------------

Family construction form	terminal
Gender	female
Color contact carrier	black
No. of poles	1
PIN 1	12
Connection	Spring clamp terminals FK
Family construction form	terminal
Gender	female
Color contact carrier	black
No. of poles	1
PIN 1	11
Connection	Spring clamp terminals FK
Family construction form	terminal
Gender	female
Color contact carrier	black
No. of poles	1
PIN 1	14
Connection	Spring clamp terminals FK
Family construction form	terminal
Gender	female
Color contact carrier	black
No. of poles	1
PIN 1	A 1
Connection	Spring clamp terminals FK
Family construction form	terminal
Gender	female
Color contact carrier	black
No. of poles	1
PIN 1	A 2