

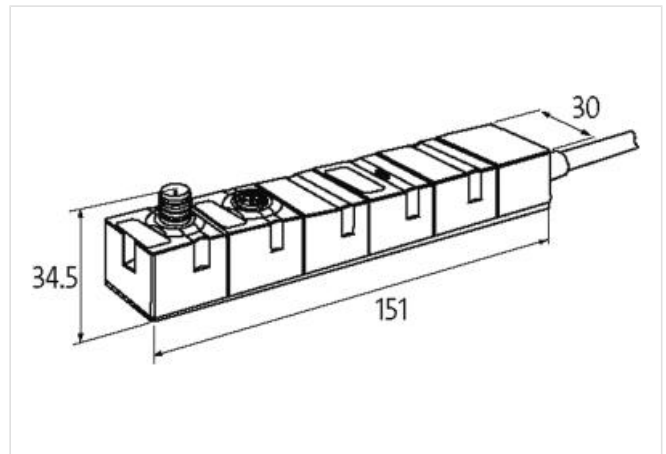
Cube67 Valve-Interface, I/O Extension Module

DO22, Numatics Gen. 2000, Sub-D 25 pol., 0,5m

Expansion module
 DO22 - Valve (E) 0.5 m
 Multipole plug (0.5 A)
 Numatics Generation 2000 (UL-Listed)
 Connection cables are in the online shop under "Connection Technology".
 Housing fully potted.

Link do produto

Ilustração



Produto pode diferir da imagem



Dados comerciais

ECLASS-6.0	27242604
ECLASS-6.1	27242604
ECLASS-7.0	27242604
ECLASS-8.0	27242604
ECLASS-9.0	27242604
ECLASS-10.1	27242604
ECLASS-11.1	27242604
ECLASS-12.0	27242604
ETIM-5.0	EC001599
Classificação fiscal	85389099
GTIN	4048879353342
Quantidade por embalagem	1

Electrical data | Supply

Norm operating voltage	EN 61131-2
Operating voltage UA DC	24 V
Current consumption max.	50 mA
Total current UA max.	4 A
Total current US max.	4 A

Electrical data | Output

As informações contidas nesta folha de dados foram elaboradas com o máximo cuidado.
 A falta de integridade, exatidão e atualização das informações é considerada negligência grave. versão: 26/06/2024

Overload resistant	yes
Short-circuit protected	yes
Output current per pin max.	0,5 A

Diagnostics

Actuator warning	per channel via BUS
Diagnostic	No voltage, Under voltage
Diagnostic via BUS	per module and channel
Diagnostic via LED	per module
Short circuit diagnosis	yes
LED display	Ethernet connection/data traffic
Overload diagnosis	yes

Device protection | Electrical

Degree of protection (EN IEC 60529)	IP67
-------------------------------------	------

Mechanical data | Mounting data

Suitable for mounting type	2-hole screw mounting
Height	150 mm
Width	30 mm
Depth	34,5 mm

Environmental characteristics | Climatic

Operating temperature min.	0 °C
Operating temperature max.	55 °C
Storage temperature min.	-20 °C
Storage temperature max.	75 °C

Connection type 3

Connection type 1	Bus In
Connection type 2	Bus Out
Connection type 3	Data
Family construction form	M12
Gender	male
Color contact carrier	black
Coding	A
No. of poles	6
PIN 1	24 V DC (UA)
PIN 2	24 V DC (US)
PIN 3	0 V
PIN 4	Bus internal
PIN 5	Bus internal
PIN 6	0 V
Family construction form	M12
Gender	female
Color contact carrier	black
Coding	A
No. of poles	6
PIN 1	24 V DC (UA)
PIN 2	24 V DC (US)
PIN 3	0 V
PIN 4	Bus internal
PIN 5	Bus internal
PIN 6	0 V
Family construction form	D-Sub
Gender	female
No. of poles	25

PIN 1	Out 1
PIN 2	Out 2
PIN 3	Out 3
PIN 4	Out 4
PIN 5	Out 5
PIN 6	Out 6
PIN 7	Out 7
PIN 8	Out 8
PIN 9	Out 9
PIN 10	Out 10
PIN 11	Out 11
PIN 12	Out 12
PIN 13	Out 13
PIN 14	Out 14
PIN 15	Out 15
PIN 16	Out 16
PIN 17	Out 17
PIN 18	Out 18
PIN 19	Out 19
PIN 20	Out 20
PIN 21	Out 21
PIN 22	Out 22
PIN 23	0 V
PIN 24	0 V Sens