

## MTS SINGLE-PHASE CONTROL AND ISOLATION TRANSFORMER

P:100VA IN:400/440VAC OUT:115/230VAC

Single-phase - Control and Isolation Transformers

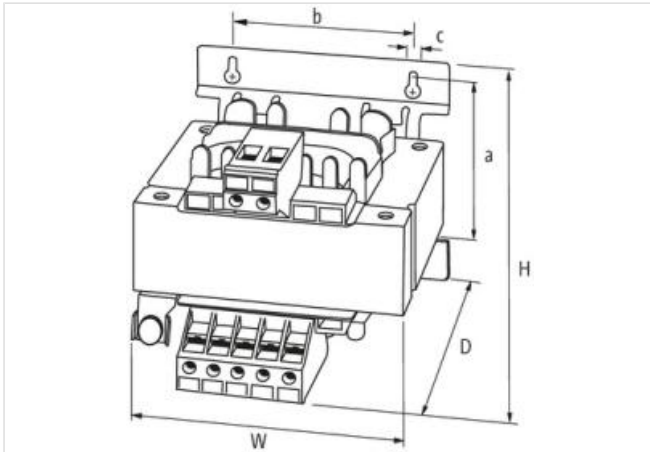
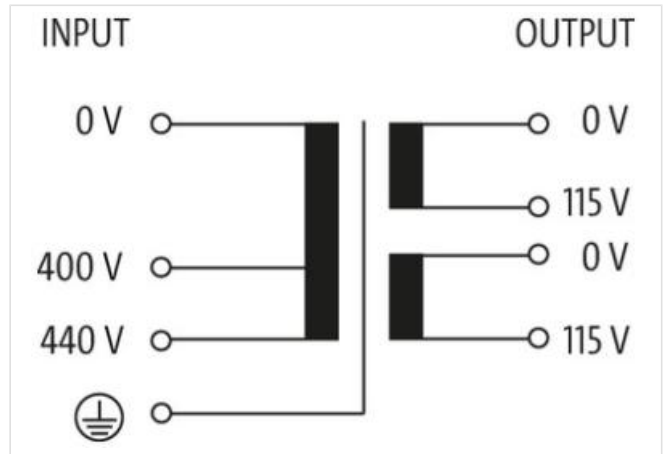
100 VA

Isolation class T 40/B

Other voltages on request.

### Ürün Linki

örnekleme



Ürün Image farklı olabilir

### Ticari bilgiler

ECLASS-6.0	27031202
ECLASS-7.0	27031202
ECLASS-8.0	27031202
ECLASS-9.0	27031202
ETIM-5.0	EC002486
GTIN	4048879333801
Gümrük tarife no (gtip)	85043180
Paket miktarı	1

### Electrical data | Supply

Power frequency	50 ... 60 Hz
-----------------	--------------

**Electrical data | Input**

Input voltage 1 AC	400 V
Input voltage 2 AC	440 V
Input current at input voltage 1 AC	0,32 A
Input current at input voltage 2 AC	0,28 A
Inrush current at input voltage 1	2,3 A
Inrush current at input voltage 2	2,1 A
Short-circuit current at input voltage 1	3,1 A
Short-circuit current at input voltage 2	2,8 A

**Electrical data | Output**

Output voltage	1 × 230 / 1 × 115 / 2 × 115 V AC
Output voltage AC 1	230 V
Output voltage AC 2	115 V
Output voltage adjustable	yes
Power rating AC max.	100 VA

**Device protection | Electrical**

Insulation test voltage input - output	5,9 kV
--	--------

**Mechanical data | Mounting data**

Suitable for mounting type	Long-hole mounting
Mounting dimension a	64,5 mm
Mounting dimension b	64 mm
Mounting dimension c	4,8 mm
Height	99 mm
Width	84 mm
Depth	98 mm
Diameter bore	4,8 mm
Length bore	8,4 mm

**Environmental characteristics | Climatic**

Operating temperature min.	-20 °C
Operating temperature max.	40 °C
Storage temperature min.	-40 °C
Storage temperature max.	80 °C

**Conformity**

Product standard	EN 61558-2-6, EN 62041 category 0
------------------	-----------------------------------

**Connection type 3**

Connection type 1	Input
Connection type 2	Output
Connection	Screw terminals SK
Family construction form	terminal
Gender	female
No. of poles	3
PIN 2	400 V
PIN 3	440 V
Connection	Screw terminals SK
Family construction form	terminal
Gender	female
No. of poles	4
PIN 2	115 V
PIN 4	115 V
Connection	Screw terminals SK
Family construction form	terminal

Gender	female
Color contact carrier	metallic
No. of poles	1
PIN 1	PE