

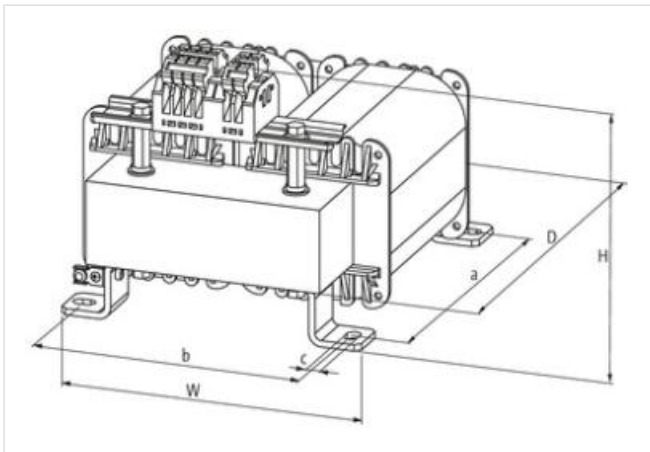
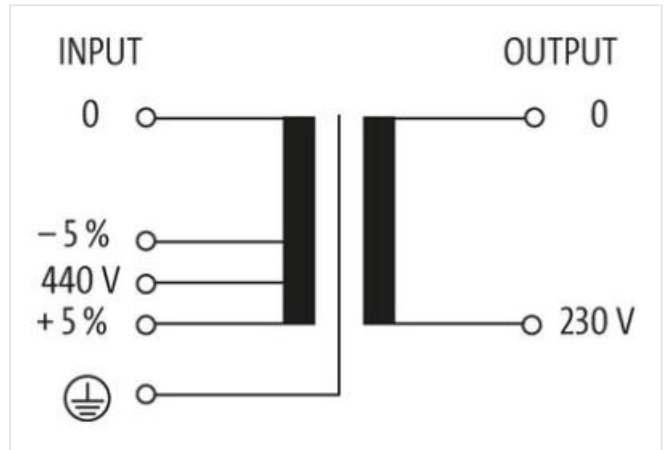
## MET SINGLE-PHASE CONTROL AND ISOLATION TRANSFORMER

P:3000VA IN:440VAC±5% OUT:230VAC

Single-phase - Control and Isolation Transformers  
3000 VA  
Isolation class T 40/B  
Other voltages on request.

### [Link to Product](#)

#### Illustration



Product may differ from Image

#### 取引条件

ECLASS-6.0	27031202
ECLASS-7.0	27031202
ECLASS-8.0	27031202
ECLASS-9.0	27031202
ETIM-5.0	EC002486
GTIN	4048879349208
HSコード	85043200
Packaging unit	1

#### Electrical data | Supply

Power frequency	50 ... 60 Hz
-----------------	--------------

このデータシートに含まれる情報は最大限の注意を払って作成されました。

Liability for the correctness completeness and topicality of the information is restricted to gross negligence. Version: 2024-06-26

Murrelektronik GmbH | Falkenstr. 3 | 71570 Oppenweiler | Fon +49 (71 91) 47-0 | Fax +49 (71 91) 47-491000 | shop@murrelektronik.com | shop.murrelektronik.com

Electrical data   Input	
Input voltage AC	440 V
Input voltage AC min.	418 V
Input voltage AC max.	462 V
Current input AC	7,2 A
Max. inrush current	97 A
Short-circuit current	300 A
Electrical data   Output	
Output voltage AC	230 V
Output voltage adjustable	no
Power rating AC max.	3000 VA
Device protection   Electrical	
Insulation test voltage input - output	6 kV
Mechanical data   Mounting data	
Suitable for mounting type	Long-hole mounting
Mounting dimension a	174 mm
Mounting dimension b	200 mm
Mounting dimension c	9 mm
Height	195 mm
Width	198 mm
Depth	250 mm
Diameter bore	9 mm
Length bore	14 mm
Environmental characteristics   Climatic	
Operating temperature min.	-20 °C
Operating temperature max.	40 °C
Storage temperature min.	-40 °C
Storage temperature max.	80 °C
Conformity	
Product standard	EN 61558-1, EN 61558-2-4, EN 62041 category 0