

MET SINGLE-PHASE CONTROL AND ISOLATION TRANSFORMER

P:3000VA IN:440VAC±5% OUT:230VAC

Single-phase - Control and Isolation Transformers

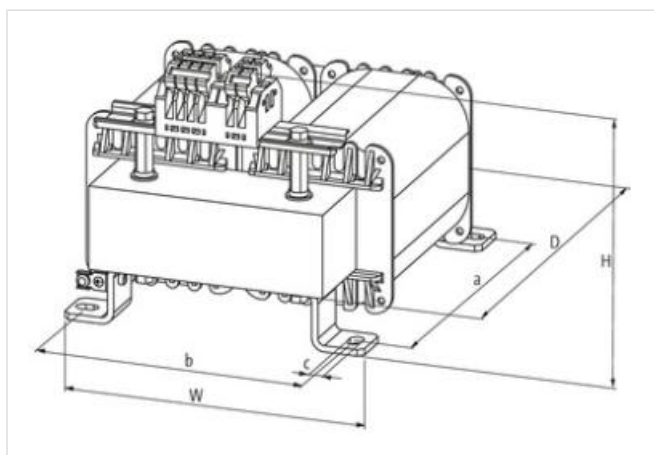
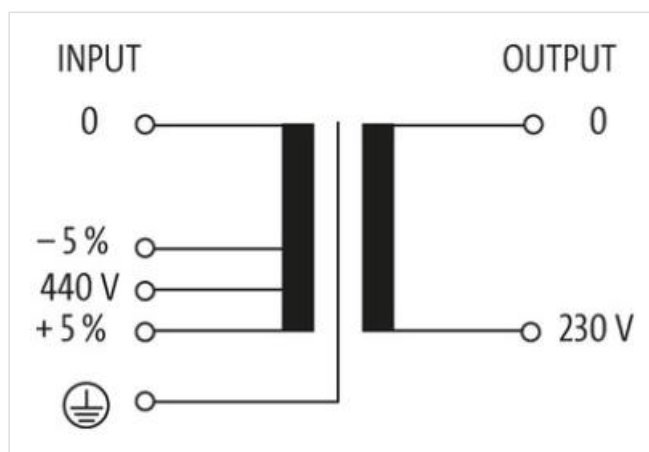
3000 VA

Isolation class T 40/B

Other voltages on request.

Link do produto

Ilustração



Produto pode diferir da imagem

Dados comerciais

ECLASS-6.0	27031202
ECLASS-7.0	27031202
ECLASS-8.0	27031202
ECLASS-9.0	27031202
ETIM-5.0	EC002486
Classificação fiscal	85043200
GTIN	4048879349208
Quantidade por embalagem	1

Electrical data | Supply

Power frequency	50 ... 60 Hz
-----------------	--------------

Electrical data Input	
Input voltage AC	440 V
Input voltage AC min.	418 V
Input voltage AC max.	462 V
Current input AC	7,2 A
Max. inrush current	97 A
Short-circuit current	300 A
Electrical data Output	
Output voltage AC	230 V
Output voltage adjustable	no
Power rating AC max.	3000 VA
Device protection Electrical	
Insulation test voltage input - output	6 kV
Mechanical data Mounting data	
Suitable for mounting type	Long-hole mounting
Mounting dimension a	174 mm
Mounting dimension b	200 mm
Mounting dimension c	9 mm
Height	195 mm
Width	198 mm
Depth	250 mm
Diameter bore	9 mm
Length bore	14 mm
Environmental characteristics Climatic	
Operating temperature min.	-20 °C
Operating temperature max.	40 °C
Storage temperature min.	-40 °C
Storage temperature max.	80 °C
Conformity	
Product standard	EN 61558-1, EN 61558-2-4, EN 62041 category 0