

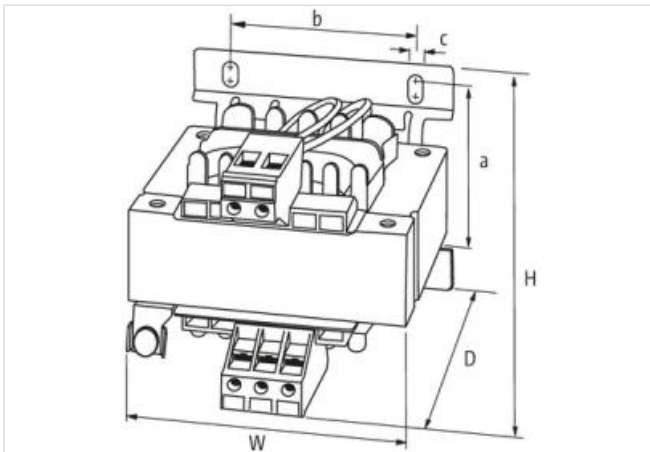
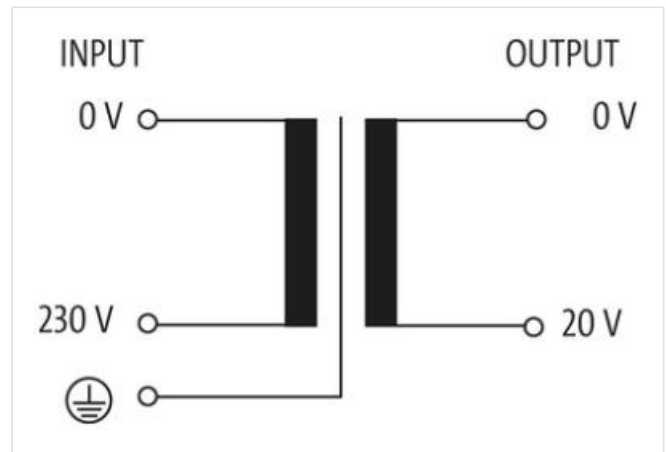
## MST SINGLE-PHASE SAFETY TRANSFORMER

P:160VA IN:230VAC OUT:20VAC

Single-phase - Control and Isolation Transformers  
 160 VA  
 Isolation class T 40/B  
 Other voltages on request.

### Link to Product

#### Illustration



Product may differ from Image



#### 取引条件

ECLASS-6.0	27031202
ECLASS-6.1	27031302
ECLASS-7.0	27031302
ECLASS-8.0	27031302
ECLASS-9.0	27031302
ECLASS-10.1	27031302

このデータシートに含まれる情報は最大限の注意を払って作成されました。

Liability for the correctness completeness and topicality of the information is restricted to gross negligence. Version: 2024-06-26

ECLASS-11.1	27031302
ECLASS-12.0	27031302
ETIM-5.0	EC002485
GTIN	4048879318075
HSコード	85043180
Packaging unit	1

**Electrical data | Supply**

Power frequency	50 ... 60 Hz
-----------------	--------------

**Electrical data | Input**

Input voltage 1 AC	230 V
Input voltage AC	230 V
Current input AC	0,81 A
Max. inrush current	6,6 A
Short-circuit current	11,5 A

**Electrical data | Output**

Output voltage AC	20 V
Output voltage adjustable	no
Power rating AC max.	160 VA

**Device protection | Electrical**

Insulation test voltage input - output	3,8 kV
--	--------

**Mechanical data | Mounting data**

Suitable for mounting type	Schlüssellochaufhängung
Mounting dimension a	75,3 mm
Mounting dimension b	84 mm
Mounting dimension c	5,8 mm
Height	91 mm
Width	97 mm
Depth	105 mm
Diameter bore	5,8 mm
Length bore	12 mm

**Environmental characteristics | Climatic**

Operating temperature min.	-20 °C
Operating temperature max.	40 °C
Storage temperature min.	-40 °C
Storage temperature max.	80 °C

**Conformity**

Product standard	EN 61558-2-6, EN 62041 category 0
------------------	-----------------------------------

**Connection type 3**

Connection type 1	Input
Connection type 2	Output
Connection	Screw terminals SK
Family construction form	terminal
Gender	female
No. of poles	2
PIN 2	230 V
Connection	Screw terminals SK
Family construction form	terminal
Gender	female
No. of poles	2
PIN 2	20 V
Connection	Screw terminals SK

Family construction form	terminal
Gender	female
Color contact carrier	metallic
No. of poles	1
PIN 1	PE