

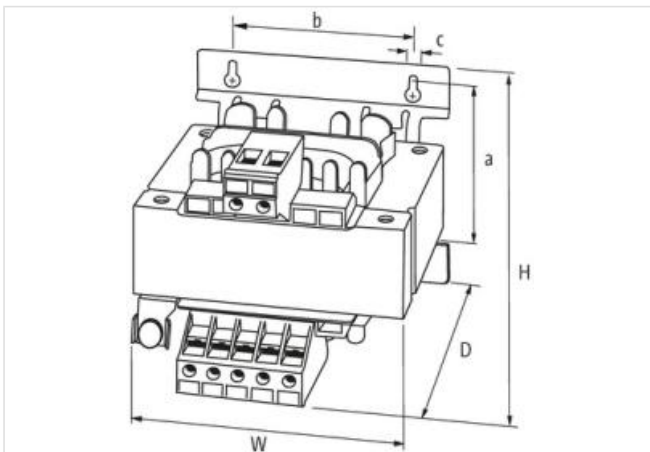
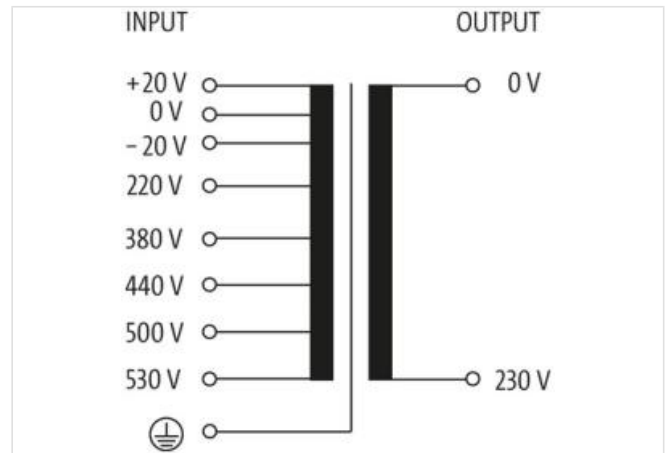
## MET SINGLE-PHASE CONTROL AND ISOLATION TRANSFORMER

P:500VA IN:220...530VAC±20VAC OUT:230VAC

Single-phase safety transformer  
500 VA  
Isolation class T 60/B  
Other voltages on request.  
Condensation not permitted

### Link to Product

#### Illustration



Product may differ from Image

#### 取引条件

ECLASS-6.0	27031202
ECLASS-7.0	27031202
ECLASS-8.0	27031202
ECLASS-9.0	27031202
ETIM-5.0	EC002485
GTIN	4048879073936
HSコード	85043180
Packaging unit	1

#### Electrical data | Supply

このデータシートに含まれる情報は最大限の注意を払って作成されました。

Liability for the correctness completeness and topicality of the information is restricted to gross negligence. Version: 2024-06-22

Power frequency 50 ... 60 Hz

**Electrical data | Input**

Input voltage 1 AC	220 V
Input voltage 2 AC	530 V
Input voltage AC	220, 380, 440, 500, 530
Input voltage AC	220 V
Input current at input voltage 1 AC	2,51 A
Input current at input voltage 2 AC	1,05 A
Max. inrush current	40 A
Short-circuit current	52 A

**Electrical data | Output**

Output voltage AC	230 V
Output voltage adjustable	no
Power rating AC max.	500 VA

**Device protection | Electrical**

Insulation test voltage input - output	6,3 kV
--	--------

**Mechanical data | Mounting data**

Suitable for mounting type	Schlüssellochabhängung
Mounting dimension a	91 mm
Mounting dimension b	122 mm
Mounting dimension c	7 mm
Height	112 mm
Width	150 mm
Depth	148 mm
Diameter bore	7 mm
Length bore	15 mm

**Environmental characteristics | Climatic**

Operating temperature min.	-20 °C
Operating temperature max.	60 °C

**Conformity**

Product standard	EN 61558-1, EN 61558-2-4, EN 62041 category 0
------------------	---