

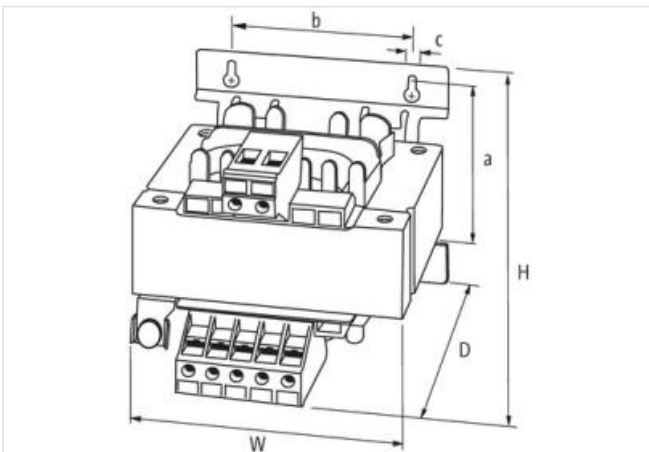
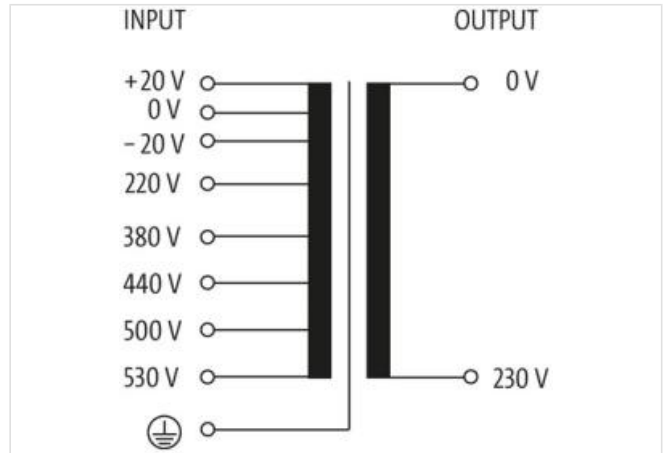
MET SINGLE-PHASE CONTROL AND ISOLATION TRANSFORMER

P:500VA IN:220...530VAC±20VAC OUT:230VAC

Single-phase safety transformer
500 VA
Isolation class T 60/B
Other voltages on request.
Condensation not permitted

제품 링크

일러스트



실제 제품은 이미지와 다를 수 있습니다.

제품자료

ECLASS-6.0	27031202
ECLASS-7.0	27031202
ECLASS-8.0	27031202
ECLASS-9.0	27031202
ETIM-5.0	EC002485
GTIN	4048879073936
세번부호	85043180
포장단위	1

Electrical data | Supply

Power frequency 50 ... 60 Hz

Electrical data | Input

Input voltage 1 AC	220 V
Input voltage 2 AC	530 V
Input voltage AC	220, 380, 440, 500, 530
Input voltage AC	220 V
Input current at input voltage 1 AC	2,51 A
Input current at input voltage 2 AC	1,05 A
Max. inrush current	40 A
Short-circuit current	52 A

Electrical data | Output

Output voltage AC	230 V
Output voltage adjustable	no
Power rating AC max.	500 VA

Device protection | Electrical

Insulation test voltage input - output	6,3 kV
--	--------

Mechanical data | Mounting data

Suitable for mounting type	Schlüssellochabhängung
Mounting dimension a	91 mm
Mounting dimension b	122 mm
Mounting dimension c	7 mm
Height	112 mm
Width	150 mm
Depth	148 mm
Diameter bore	7 mm
Length bore	15 mm

Environmental characteristics | Climatic

Operating temperature min.	-20 °C
Operating temperature max.	60 °C

Conformity

Product standard	EN 61558-1, EN 61558-2-4, EN 62041 category 0
------------------	---