

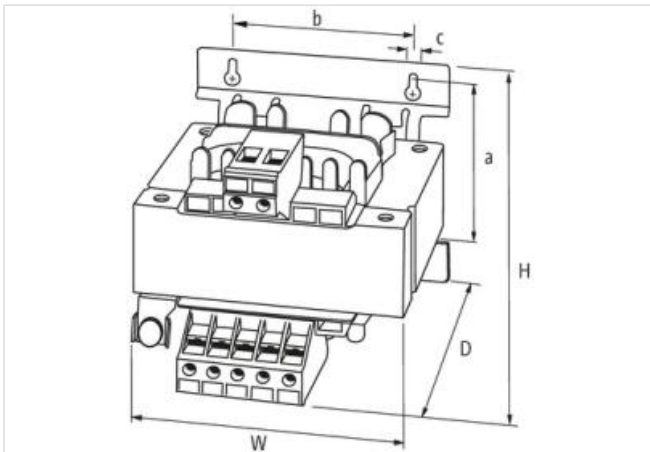
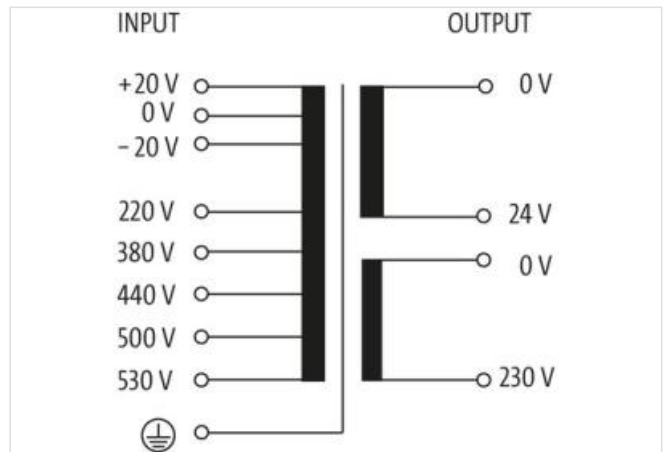
**MET SINGLE-PHASE CONTROL AND ISOLATION TRANSFORMER**

P:500VA IN:220...530VAC±20VAC OUT:24/230VAC

Single-phase safety transformer  
500 VA  
Isolation class T 40/B  
Other voltages on request.

[Link to Product](#)

Illustration



Product may differ from Image



取引条件

ECLASS-6.0	27031202
ECLASS-6.1	27031302
ECLASS-7.0	27031302
ECLASS-8.0	27031302
ECLASS-9.0	27031302
ECLASS-10.1	27031302

ECLASS-11.1	27031302
ECLASS-12.0	27031302
ETIM-5.0	EC002486
GTIN	4048879073967
HSコード	85043180
Packaging unit	1

**Electrical data | Supply**

Power frequency	50 ... 60 Hz
-----------------	--------------

**Electrical data | Input**

Input voltage 1 AC	220 V
Input voltage 2 AC	530 V
Input voltage AC	220, 380, 440, 500, 530
Input current at input voltage 1 AC	2,5 A
Input current at input voltage 2 AC	1,1 A
Inrush current at input voltage 1	59 A
Inrush current at input voltage 2	27 A
Short-circuit current at input voltage 1	52 A
Short-circuit current at input voltage 2	22 A

**Electrical data | Output**

Output voltage AC 1	24 V
Output voltage AC 2	230 V
Output voltage adjustable	no
Power rating AC max.	500 VA

**Device protection | Electrical**

Insulation test voltage input - output	6,3 kV
--	--------

**Mechanical data | Mounting data**

Suitable for mounting type	Schlüssellochauhängung
Mounting dimension a	82 mm
Mounting dimension b	120 mm
Mounting dimension c	10 mm
Height	109 mm
Width	150 mm
Depth	148 mm
Diameter bore	7 mm
Length bore	15 mm

**Environmental characteristics | Climatic**

Operating temperature min.	-20 °C
Operating temperature max.	60 °C
Storage temperature min.	-20 °C
Storage temperature max.	80 °C

**Conformity**

Product standard	EN 61558-2-4, EN 61558-2-6, EN 62041 category 0
------------------	---