

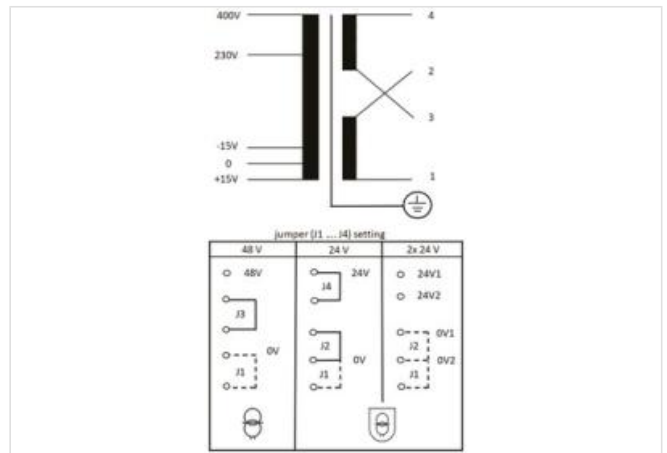
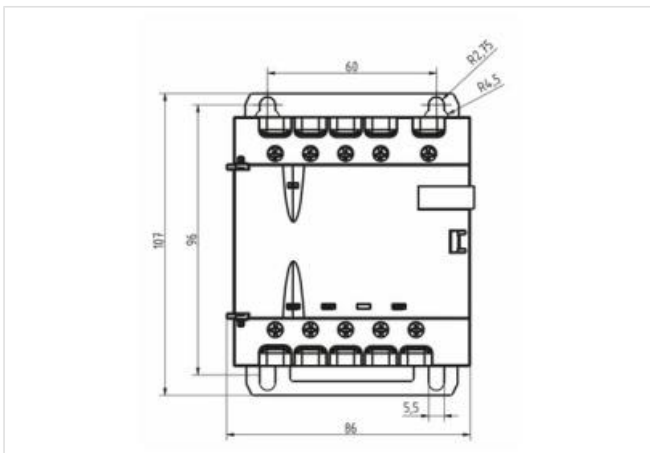
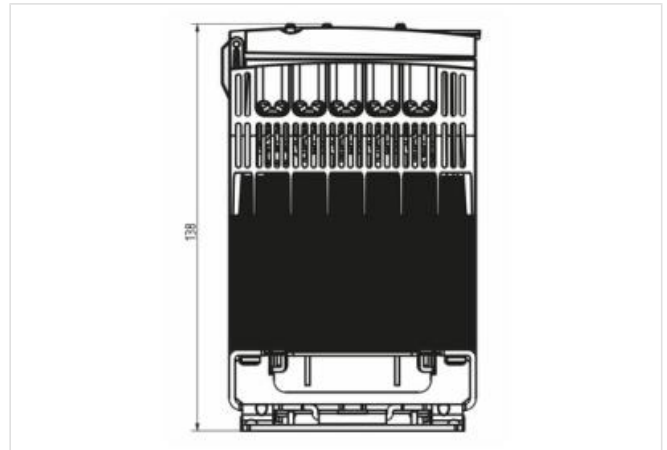
## MTL 1-PHASE SAFETY TRANSFORMER

P: 100VA IN: 230/400VAC +/- 15VAC OUT: 2x24VAC

The MTL series comprises single-phase safety transformers/isolating transformers of the protection class I and protection degree IP20 with double insulation between the primary and secondary windings for general use in industrial applications.

### Link to Product

#### Illustration



Product may differ from Image



#### 取引条件

ECLASS-6.0	27031302
ECLASS-7.0	27031302
ECLASS-8.0	27031302
ECLASS-9.0	27031302
ETIM-5.0	EC002486
GTIN	4048879078320
HSコード	85043180

Packaging unit 1

**Electrical data | Supply**

Power frequency 50 ... 60 Hz

**Electrical data | Input**

Input voltage 1 AC 230 V

Input voltage 1 AC min. 195,5 V

Input voltage 1 AC max. 264,5 V

Input voltage 2 AC 400 V

Input voltage 2 AC min. 340 V

Input voltage 2 AC max. 460 V

Input current at input voltage 1 AC 0,52 A

Input current at input voltage 2 AC 0,3 A

Inrush current at input voltage 1 5,4 A

Inrush current at input voltage 2 3,12 A

Short-circuit current at input voltage 1 10 A

Short-circuit current at input voltage 2 5,77 A

**Electrical data | Output**

Output voltage 1 × 24 / 1 × 48 / 2 × 24 V AC

Output voltage AC 1 48 V

Output voltage AC 2 24 V

Output voltage adjustable yes

Power rating AC max. 100 VA

**Diagnostics**

Status indication LED green

**Device protection | Electrical**

Insulation test voltage input - output 5,1 kV

**Mechanical data | Mounting data**

Mounting method geschnappt

Suitable for mounting type Tragschiene TH35-15, Schlüssellochaufhängung, (EN 60715)

Mounting dimension a 96 mm

Mounting dimension b 60 mm

Mounting dimension c 5,5 mm

Height 108 mm

Width 87 mm

Depth 139 mm

Diameter bore 5,5 mm

Length bore 9 mm

**Environmental characteristics | Climatic**

Operating temperature min. -20 °C

Operating temperature max. 60 °C

**Conformity**

Product standard EN 61558-2-4, EN 61558-2-6, EN 62041 category 0

**Connection type 2**

Connection type 1 Input

Connection type 2 Output

Connection Screw terminals SK

Family construction form terminal

Gender female

No. of poles 5

PIN 1 + 15 V

PIN 3 - 15 V

PIN 4	230 V
PIN 5	400 V
Connection	Screw terminals SK
Family construction form	terminal
Gender	female
No. of poles	5
PIN 1	PE
PIN 2	1
PIN 3	2
PIN 4	3
PIN 5	4