

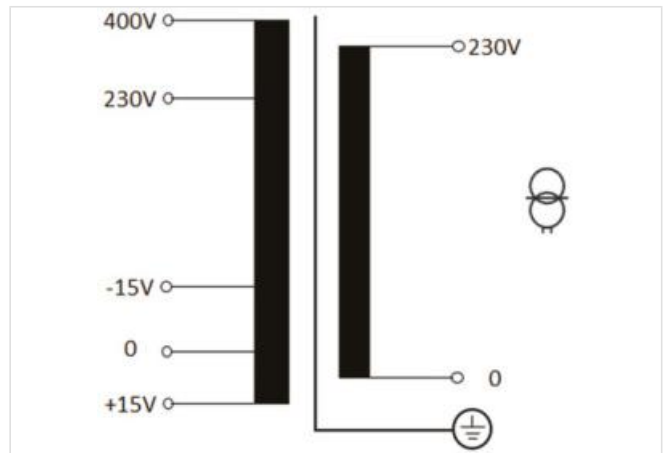
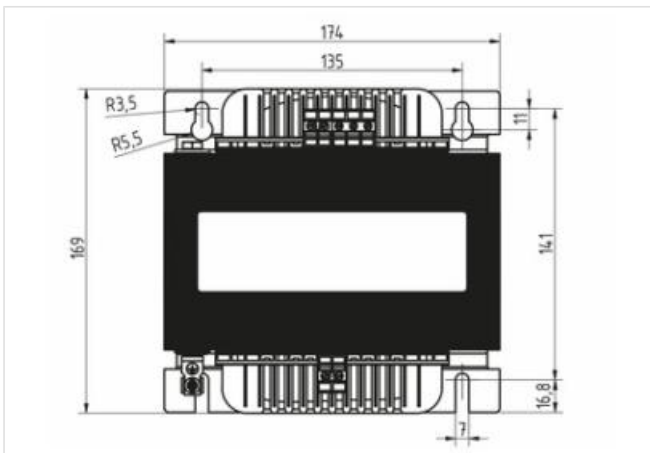
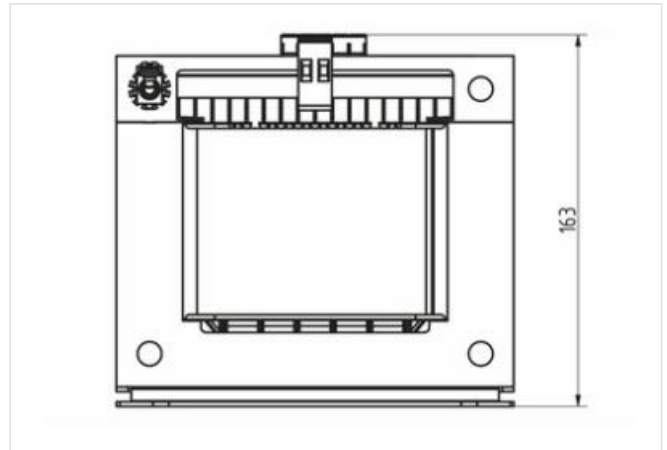
## MET 1-Phase control and isolating transformer

P: 1600VA IN: 230-400VAC +/- 15VAC OUT: 230VAC

The MET series comprises single-phase control transformers/isolating transformers of the protection class I and protection degree IP00 with double insulation between the primary and secondary windings for general use in industrial applications.

### [Link to Product](#)

#### Illustration



Product may differ from Image



#### Electrical data | Supply

Power frequency 50/60 Hz

#### Electrical data | Input

|                                     |       |
|-------------------------------------|-------|
| Input voltage 1 AC                  | 230 V |
| Input voltage 2 AC                  | 400 V |
| Input current at input voltage 1 AC | 7,2 A |
| Input current at input voltage 2 AC | 4,1 A |

このデータシートに含まれる情報は最大限の注意を払って作成されました。

Liability for the correctness completeness and topicality of the information is restricted to gross negligence. Version: 2024-06-23

|  |       |
|--|-------|
| Inrush current at input voltage 1        | 137 A |
| Inrush current at input voltage 2        | 79 A  |
| Short-circuit current at input voltage 1 | 328 A |
| Short-circuit current at input voltage 2 | 189 A |

**Electrical data | Output**

|                   |       |
|-------------------|-------|
| Output voltage AC | 230 V |
|-------------------|-------|

**Mechanical data | Mounting data**

|                            |                        |
|----------------------------|------------------------|
| Mounting method            | screwed                |
| Suitable for mounting type | Schlüssellochauhängung |
| Mounting dimension a       | 141 mm                 |
| Mounting dimension b       | 135 mm                 |
| Mounting dimension c       | 3,5 mm                 |
| Height                     | 169 mm                 |
| Width                      | 174 mm                 |
| Depth                      | 163 mm                 |
| Diameter bore              | 3,5 mm                 |
| Length bore                | 11 mm                  |

**Environmental characteristics | Climatic**

|                          |        |
|--------------------------|--------|
| Ambient temperature min. | -20 °C |
| Ambient temperature max. | 50 °C  |
| Storage temperature min. | -30 °C |
| Storage temperature max. | 80 °C  |

**Conformity**

|                  |                                    |
|------------------|------------------------------------|
| Product standard | EN 61558-1, EN 61558-2-4, EN 62041 |
| EMC              | 2014/30/EU                         |

**取引条件**

|                |               |
|----------------|---------------|
| GTIN           | 4065909079058 |
| HSコード          | 85043200      |
| Packaging unit | 1             |