

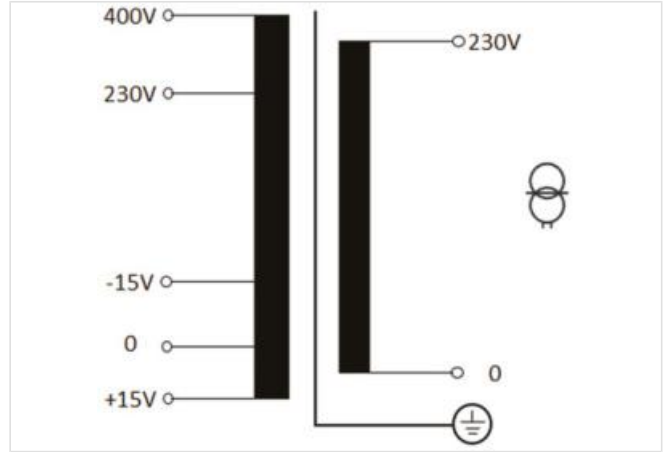
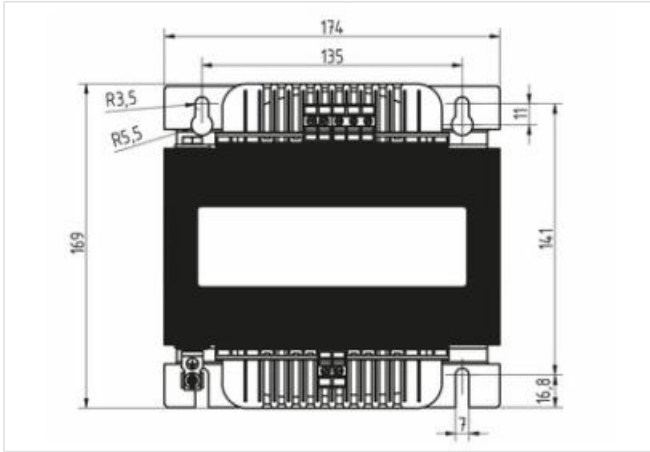
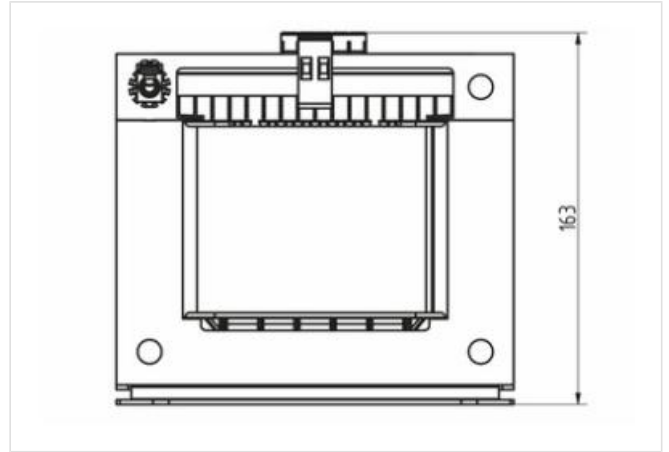
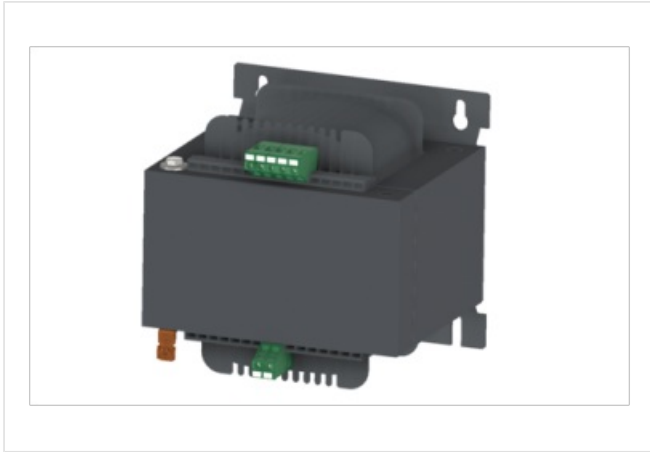
## MET 1-Phase control and isolating transformer

P: 1600VA IN: 230-400VAC +/- 15VAC OUT: 230VAC

The MET series comprises single-phase control transformers/isolating transformers of the protection class I and protection degree IP00 with double insulation between the primary and secondary windings for general use in industrial applications.

### Ürün Linki

örnekleme



Ürün Image farklı olabilir



#### Electrical data | Supply

Power frequency 50/60 Hz

#### Electrical data | Input

Input voltage 1 AC	230 V
Input voltage 2 AC	400 V
Input current at input voltage 1 AC	7,2 A
Input current at input voltage 2 AC	4,1 A

Inrush current at input voltage 1	137 A
Inrush current at input voltage 2	79 A
Short-circuit current at input voltage 1	328 A
Short-circuit current at input voltage 2	189 A

**Electrical data | Output**

Output voltage AC	230 V
-------------------	-------

**Mechanical data | Mounting data**

Mounting method	screwed
Suitable for mounting type	Schlüssellochauhängung
Mounting dimension a	141 mm
Mounting dimension b	135 mm
Mounting dimension c	3,5 mm
Height	169 mm
Width	174 mm
Depth	163 mm
Diameter bore	3,5 mm
Length bore	11 mm

**Environmental characteristics | Climatic**

Ambient temperature min.	-20 °C
Ambient temperature max.	50 °C
Storage temperature min.	-30 °C
Storage temperature max.	80 °C

**Conformity**

Product standard	EN 61558-1, EN 61558-2-4, EN 62041
EMC	2014/30/EU

**Ticari bilgiler**

GTIN	4065909079058
Gümrük tarife no (gtip)	85043200
Paket miktarı	1