

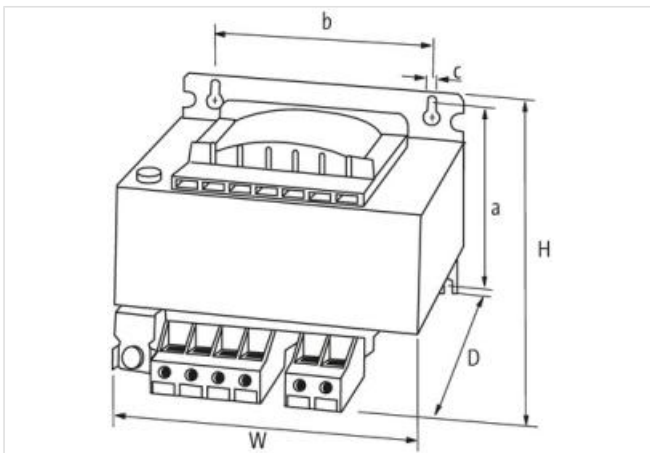
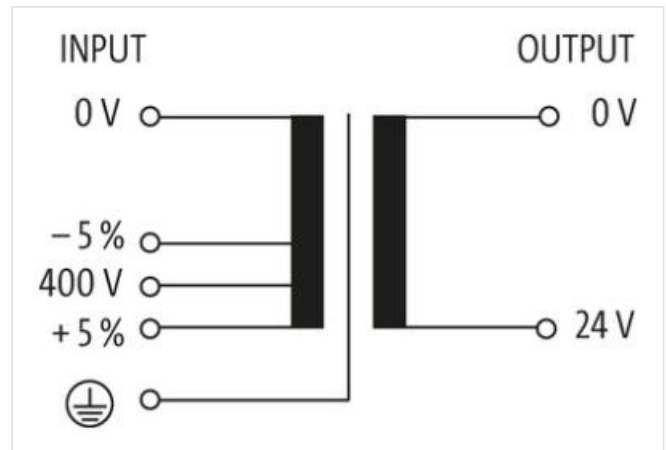
MET 1-PHASE SAFETY TRANSFORMER

P: 800VA IN: 400VAC+/- 5% OUT: 24VAC

Single-phase safety transformer
800 VA
Isolation class T 60/B

[Link to Product](#)

Illustration



Product may differ from Image



取引条件

ECLASS-6.0	27031302
ECLASS-6.1	27031302
ECLASS-7.0	27031302
ECLASS-8.0	27031302
ECLASS-9.0	27031302
ECLASS-10.1	27031302

ECLASS-11.1	27031302
ECLASS-12.0	27031302
ETIM-5.0	EC002486
GTIN	4048879078924
HSコード	85043180
Packaging unit	1

Electrical data

Security level	SELV
----------------	------

Electrical data | Supply

Power frequency	50 ... 60 Hz
-----------------	--------------

Electrical data | Input

Input voltage AC	400 V
Input voltage AC min.	380 V
Input voltage AC max.	420 V
Current input AC	2,15 A
Max. inrush current	49,12 A
Short-circuit current	50,4 A

Electrical data | Output

Output voltage AC	24 V
Output voltage adjustable	no
Power rating AC max.	800 VA

Device protection | Electrical

Insulation test voltage input - output	4 kV
--	------

Mechanical data | Mounting data

Suitable for mounting type	Schlüssellochaufhängung
Mounting dimension a	92 mm
Mounting dimension b	135 mm
Mounting dimension c	7 mm
Height	117 mm
Width	174 mm
Depth	160 mm
Diameter bore	7 mm
Length bore	11 mm

Environmental characteristics | Climatic

Operating temperature min.	-20 °C
Operating temperature max.	60 °C
Storage temperature min.	-40 °C
Storage temperature max.	80 °C

Conformity

Product standard	EN 61558-2-4, EN 61558-2-6, EN 62041 category 0
------------------	---