

ECO-POWER POWER SUPPLY 1-PHASE,

IN: 90-264 VAC OUT: 24V/5ADC

Art.No.: 85153

Weight: 0.602

Country of origin: CN

Model designation: Eco-Power 5-100-240/24

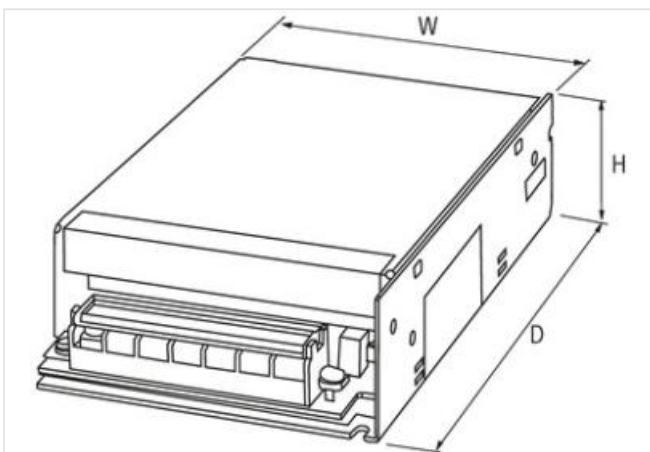
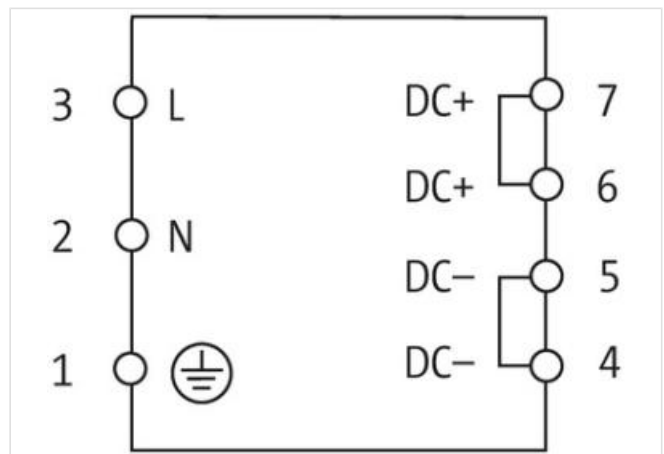
INPUT: 100...240 V AC

OUTPUT: 24 V DC $\pm 1\%$

Current: 5 A

Mains failure bridging min.

min. 15 ms (115 V AC); min. 80 ms (230 V AC)

[Link to Product](#)**Illustration**

Product may differ from Image

**Commercial data**

ECLASS-6.0

27049002

ECLASS-6.1	27049002
ECLASS-7.0	27049002
ECLASS-8.0	27049002
ECLASS-9.0	27040701
ECLASS-10.1	27040701
ECLASS-11.1	27040701
ECLASS-12.0	27040701
ETIM-5.0	EC002540
customs tariff number	85044083
customs tariff number	85044083
GTIN	4048879080422
GTIN	4048879080422
Packaging unit	1
Packaging unit	1

Electrical data

Number of devices series connection max.	2
Parallel connection	no
Series connection	yes

Electrical data | Supply

Power frequency	50 ... 60 Hz
-----------------	--------------

Electrical data | Input

Input voltage AC min.	100 V
Input voltage AC max.	240 V
Input voltage 1 AC	115 V
Input voltage 2 AC	230 V
Input current at input voltage 1 AC	2,4 A
Input current at input voltage 2 AC	1 A
Inrush current max.	20 A
External back-up fuse per phase max.	16 A
Efficiency	86 % @ 115 V AC, 87 % @ 230 V AC

Electrical data | Output

Output voltage DC	24 V
Output voltage DC min.	23,76 V
Output voltage DC max.	24,24 V
Output voltage adjustable	no
Output current	5 A
Ripple effective max.	30 mV
Spikes (s-s) max.	100 mV

Installation | Connection

Mounting set	M3
--------------	----

Device protection | Electrical

Overload protection output	yes
Short-circuit protection output	yes

Mechanical data | Mounting data

Mounting method	screwed
Height	41 mm
Width	98 mm
Depth	164 mm

Environmental characteristics | Climatic

Operating temperature min.	0 °C
----------------------------	------

Operating temperature max.	40 °C
Derating from	40 °C
Storage temperature min.	-20 °C
Storage temperature max.	85 °C
Relative humidity min. (operation)	20 %
Relative humidity max. (operation)	90 % no condensation