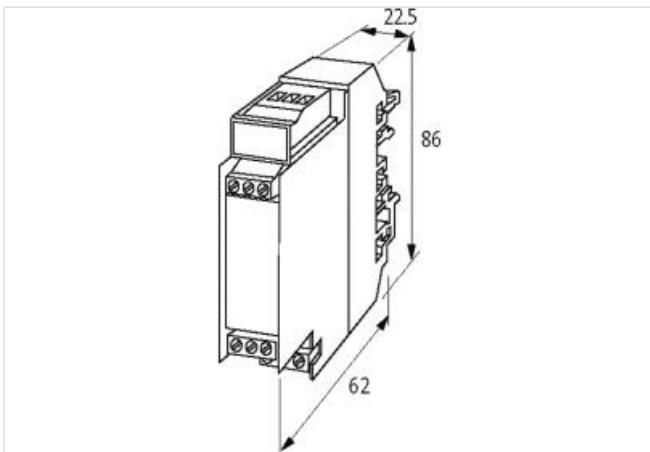
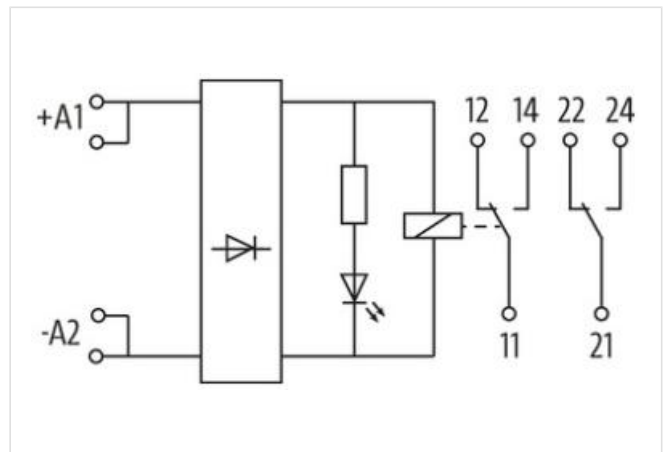


MKS - RA 12/24 VDC OUTPUT RELAY

IN: 24 VDC - OUT: 250 VAC/DC / 8 A

1 relay; 2 NO contacts
8 A
24 V DC
Screw terminals

[Link to Product](#)**Illustration**

Product may differ from Image

**取引条件**

ECLASS-6.0	27371001
ECLASS-6.1	27371601
ECLASS-7.0	27371601
ECLASS-8.0	27371601
ECLASS-9.0	27371601
ECLASS-10.1	27371601

ECLASS-11.1	27371601
ECLASS-12.0	27371601
ETIM-5.0	EC001437
GTIN	4048879025461
HSコード	85364900
Packaging unit	1

Electrical data | Input

Input voltage DC	24 V
Input voltage DC min.	21,6 V
Input voltage DC max.	26,4 V
Input current	20 mA

Electrical data | Output

Utilization category AC-15 (EN IEC 60947-5-1)	3 A @ 24 V, 3 A @ 110 V, 3 A @ 230 V
Utilization category DC-13 (EN IEC 60947-5-1)	1,5 A @ 24 V, 0,3 A @ 110 V, 0,15 A @ 230 V
Power rating AC max.	2000 VA
Power rating DC max.	240 W
Switching voltage AC max.	250 V
Switching voltage DC max.	250 V
Switching current max.	8 A
Switching capacity AC-12 (EN IEC 60947-5-1)	8 A (24/110/230 V AC)

Diagnostics

Status indication LED	red
-----------------------	-----

Device protection

Condition lifetime	load-dependent
--------------------	----------------

Device protection | Electrical

Degree of protection (EN IEC 60529)	IP20
Rated surge voltage	5 kV
Electrical lifetime	20000000 Cycles

Device protection | Mechanical

Mechanical endurance	20000000 Cycles
----------------------	-----------------

Mechanical data

Drop-out time max.	15 ms
Response time max.	10 ms
Bounce time max.	1 ms

Mechanical data | Material data

Material contact	Ag Ni
------------------	-------

Mechanical data | Mounting data

Mounting method	geschnappt
Suitable for mounting type	Mounting rail TH35, (EN 60715)
Height	86 mm
Width	22,5 mm
Depth	62 mm

Environmental characteristics | Climatic

Operating temperature min.	-25 °C
Operating temperature max.	60 °C

Connection type 1

Connection	Screw terminals SK
Family construction form	terminal
Gender	female
No. of poles	10

PIN 1	+ A 1
PIN 2	+ A 1
PIN 3	- A 2
PIN 4	- A 2
PIN 5	11
PIN 6	12
PIN 7	14
PIN 8	21
PIN 9	22
PIN 10	24