

Cube67 Diagnostic Gateway

Diagnosis made easy, Simple system overview

Art.No.: 56968

Weight: 0.915

Country of origin: DE

Model designation: Cube67 Diagnose Gateway

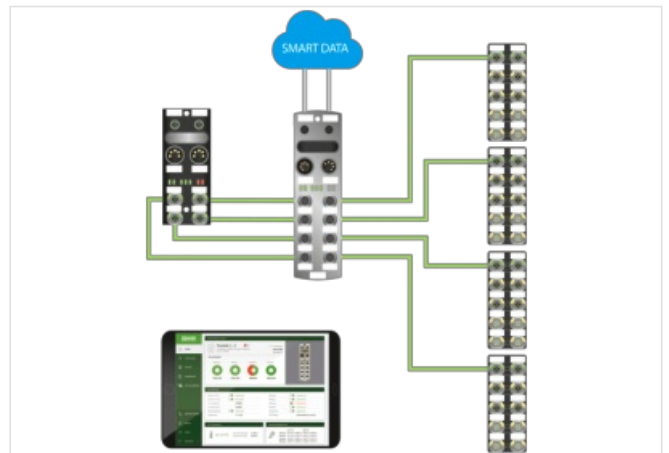
Cube67

Diagnostic gateway

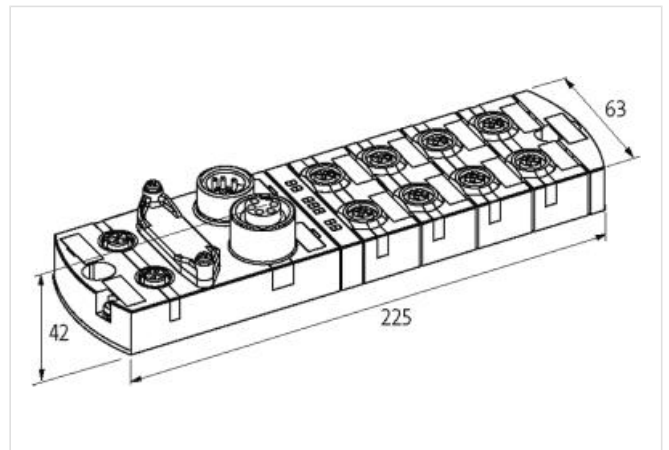
Ethernet TCP/IP

Link to Product

Illustration



Product may differ from Image



Commercial data

ECLASS-6.0	27242608
ECLASS-6.1	27242608
ECLASS-7.0	27242608
ECLASS-8.0	27242608

ECLASS-9.0	27242608
ECLASS-10.1	27242608
ECLASS-11.1	27242608
ECLASS-12.0	27242608
ETIM-5.0	EC001604
customs tariff number	85389099
customs tariff number	85389099
GTIN	4048879652216
GTIN	4048879652216
Packaging unit	1
Packaging unit	1

Electrical data | Supply

Operating voltage DC	24 V
Operating voltage DC min.	18 V
Operating voltage DC max.	30 V
Current consumption max.	200 mA

Industrial communication | Bus data

Internal system connection	yes
----------------------------	-----

Device protection | Electrical

Degree of protection (EN IEC 60529)	IP67
Invers-polarity protection	yes
Over voltage protection	yes

Mechanical data | Mounting data

Suitable for mounting type	2-hole screw mounting
Height	42 mm
Width	63 mm
Depth	225 mm

Environmental characteristics | Climatic

Operating temperature min.	0 °C
Operating temperature max.	55 °C
Storage temperature min.	-25 °C
Storage temperature max.	70 °C

Connection type 4

Connection type 1	Bus Out
Connection type 2	Port1, Port2
Connection type 3	Power In
Connection type 4	Power Out
Family construction form	M12
Gender	female
Color contact carrier	black
Coding	A
No. of poles	6
PIN 1	24 V DC (UA)
PIN 2	24 V DC (US)
PIN 3	0 V
PIN 4	Bus internal
PIN 5	Bus internal
PIN 6	0 V
Mounting method	inserted, screwed
Tightening torque	0,6 Nm
Family construction form	M12

Gender	female
Color contact carrier	black
Coding	D
No. of poles	4
PIN 1	TD +
PIN 2	RD +
PIN 3	TD -
PIN 4	RD -
Family construction form	7/8"
Gender	male
Color contact carrier	black
No. of poles	5
PIN 1	0 V
PIN 2	0 V
PIN 3	PE
PIN 4	24 V DC (US)
PIN 5	24 V DC (UA)
Family construction form	7/8"
Gender	female
Color contact carrier	black
No. of poles	5
PIN 1	0 V
PIN 2	0 V
PIN 3	PE
PIN 4	24 V DC (US)
PIN 5	24 V DC (UA)