

MVK-MPNIO F DI8/4 F DO4

MVK ProfiNet/PROFIsafe Compact module, metal,

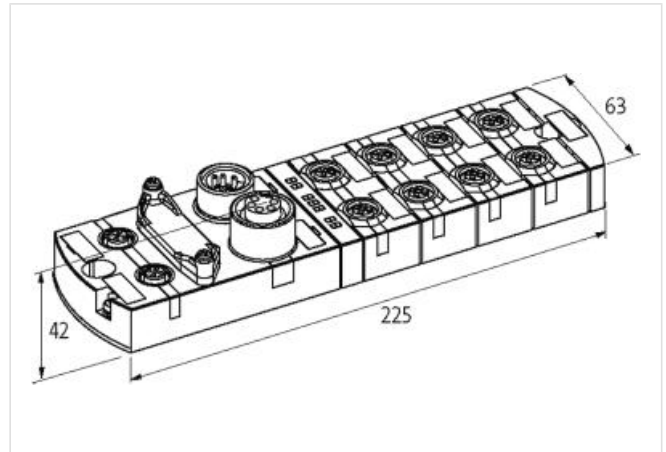
safe inputs/outputs up to cat.4/PLe (EN ISO 13849-1), up to SIL3 (IEC 61508), up to SILCL3 (IEC 62061)

DI8/4F DO4

M12, D-coded

[Link to Product](#)**Illustration**

Product may differ from Image

**Safety codes**

DCavg (EN ISO 13849-1)	98 %
Service life	20 a
Category (EN ISO 13849-1)	4
PFHd (IEC 61508)	16,53 E-10/h
Performance level (EN ISO 13849-1)	e
SIL (IEC 61508)	3
SIL CL (IEC 62061)	3

Electrical data | Supply

Norm operating voltage	EN 61131-2
Operating voltage UA DC	24 V
Operating current per pin max.	when using pin 1 and pin 5, when using pin 1 or pin 5, 0.2 A, 0.7 A
Total current UA max.	9 A
Total current US max.	9 A

Electrical data | Input

Operating voltage F input	24 V
Type Safety input	for electronical sensors or mechanical switches

Electrical data | Output

Output current per pin (safety) max.	2 A
--------------------------------------	-----

Industrial communication

Supported protocol	PROFINET
--------------------	----------

Industrial communication Profinet	
PROFINET addressing	DCP
PROFINET conformance class	B
PROFINET specification	V2.2
Diagnostics	
Actuator warning	per channel via LED and BUS
Diagnostic	No voltage, Under voltage
Diagnostic via BUS	per module and channel
Diagnostic via LED	per module and channel
Wire break detection	yes
Short circuit diagnosis	yes
LED display	Ethernet connection/data traffic
Cross-link detection	Sensor/Actuator
Overload diagnosis	yes
Device protection Electrical	
Degree of protection (EN IEC 60529)	IP67
Overload resistant	yes
Short-circuit protected	yes
Mechanical data Mounting data	
Suitable for mounting type	2-hole screw mounting
Height	44 mm
Width	63 mm
Depth	225 mm
Environmental characteristics Climatic	
Operating temperature min.	-20 °C
Operating temperature max.	55 °C
Storage temperature min.	-40 °C
Storage temperature max.	70 °C
Connection type 5	
Connection type 1	0-3
Connection type 2	4-7
Connection type 3	Power In
Connection type 4	Power Out
Connection type 5	XF2
Family construction form	M12
Gender	female
Color contact carrier	yellow
Coding	A
No. of poles	5
PIN 1	Testtakt 0x
PIN 2	Input 1x
PIN 3	0 V
PIN 4	Input 0x
PIN 5	Testtakt 1x
Family construction form	M12
Gender	female
Color contact carrier	yellow
Coding	A
No. of poles	5
PIN 1	n.c.
PIN 2	n.c.
PIN 3	Mx

このデータシートに含まれる情報は最大限の注意を払って作成されました。

Liability for the correctness completeness and topicality of the information is restricted to gross negligence. Version: 2024-06-26

PIN 4	Px
PIN 5	PE
Family construction form	7/8"
Gender	male
Color contact carrier	black
No. of poles	5
PIN 1	0 V (UA)
PIN 2	0 V (US)
PIN 3	PE
PIN 4	24 V DC (US)
PIN 5	24 V DC (UA)
Family construction form	7/8"
Gender	female
Color contact carrier	black
No. of poles	5
PIN 1	0 V (UA)
PIN 2	0 V (US)
PIN 3	PE
PIN 4	24 V DC (US)
PIN 5	24 V DC (UA)
Mounting method	inserted, screwed
Tightening torque	0,6 Nm
Family construction form	M12
Gender	female
Color contact carrier	black
Coding	D
No. of poles	4
PIN 1	TD +
PIN 2	RD +
PIN 3	TD -
PIN 4	RD -
取引条件	
GTIN	4048879292801
HSコード	85176200
Packaging unit	1